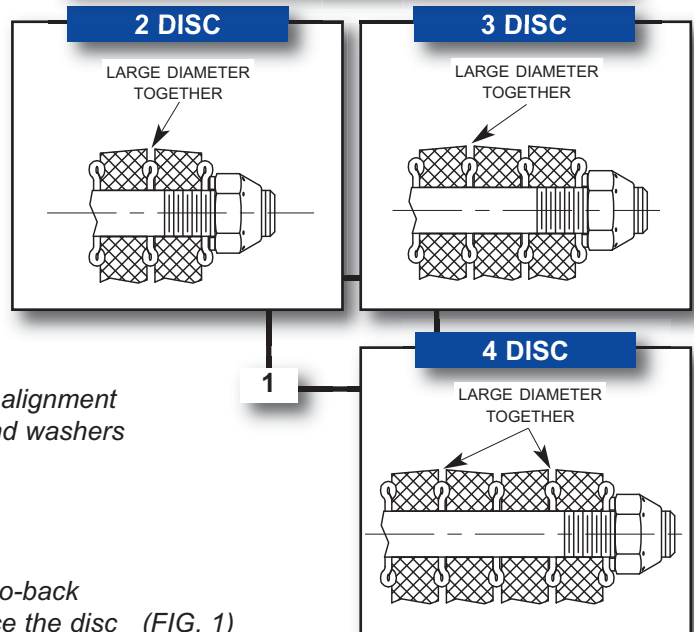




## SERVICE INSTRUCTIONS



### FLEXIBLE COUPLING

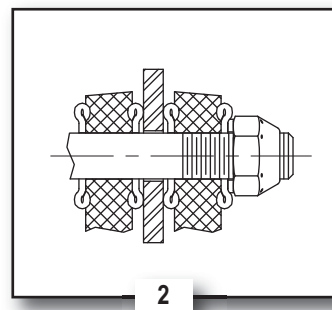


#### SPACER DISASSEMBLY

1. Before disassembly make note of universal joint alignment
2. Disassemble and discard all bolts, discs, nuts and washers

#### SPACER ASSEMBLY

3. Begin assembly by realigning universal joints
4. Always rotate the bolt head
5. The large diameter of the discs should be back-to-back
6. The open edge of the beaded washer should face the disc (FIG. 1)



7. All spacers should be between the fiber discs (FIG. 2)
8. PRE ASSEMBLY: snug all fasteners
9. FINAL ASSEMBLY: tighten the fasteners on one spider until the beaded washers are slightly recessed into the disc, approximately one half the thickness of the bead, then tighten remaining fasteners on the other spider

UNCONTROLLED DOCUMENT 56-15122-03