

SHEAR BOLT YOKE

Weasler®

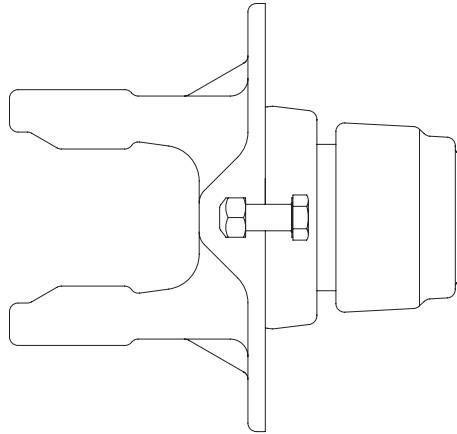


The shear yoke offers simple, economical implement overload protection. Besides the traditional implement mounted configuration, the free motion and hidden bolt tractor shaft mounted options make hook-up and service more user friendly. The compact, efficient design disconnects the power source from the drivetrain when overload occurs. During disengagement, the design does not allow or generate damaging torque spikes or heat. After the operator replaces the easily accessible bolt, the machine can be restarted.*

PERFORMANCE BENEFITS

- IMPLEMENT OVERLOAD PROTECTION
- MINIMAL MAINTENANCE
- NO DAMAGING HEAT GENERATION FOR HIGHER PRODUCTIVITY
- REPEATABLE OVERLOAD DISENGAGEMENT SETTING
- TAMPER-RESISTENT
- SMOOTH DISENGAGED OPERATION, NO DAMAGING TORQUE SPIKES
- OFFERED WITH OR WITHOUT FREE MOTION, OVERRUNNING AND TRACTOR MOUNT*

*AVAILABLE FOR THE IMPLEMENT END ONLY IN EUROPE



DESIGN FEATURES

- TRACTOR YOKE (PATENTED)*
 - HIDDEN SHEAR BOLT
 - COMPLIES WITH ASAE SAFETY STANDARDS
 - SLIDE COLLAR STYLE FOR 1-3/8 x 6, 1-3/8 x 21 AND 1-3/4 x 20 PTO SHAFTS
- IMPLEMENT YOKE
 - SHEAR BOLT ACCESSIBLE FOR EASY CHANGE OUT
- FREE MOTION YOKE (PATENTED)
 - SHEAR BOLT ACCESSIBLE FOR EASY CHANGE OUT
 - 60° FREE MOVEMENT FOR EASY HOOK-UP OF TRACTOR YOKE
- PERFORMANCE
 - INDUCTION HARDENED BOLT HOLES
 - PROVIDES GOOD EDGE FOR CONSISTENT, REPEATABLE SHEAR
 - INTERNAL BALL BEARING
 - INDUCTION HARDENED RACES
 - PERMANENTLY LUBRICATED ON TRACTOR YOKE
 - REDUCES POSSIBILITY OF DAMAGE
- BROAD RANGE OF SHEAR TORQUE OFFERINGS
- SPEEDS TO 2000 RPM
- AUTO-LOK ATTACHMENT AVAILABLE

*AVAILABLE FOR THE IMPLEMENT END ONLY IN EUROPE