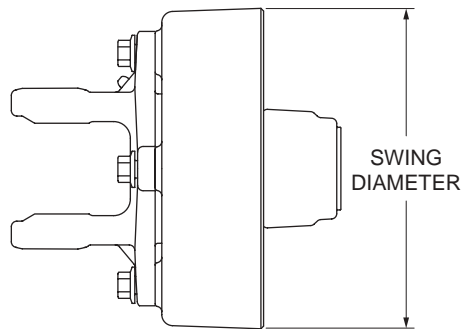


TORQUE LIMITERS

Weasler



TORQMASTER MODULAR AUTOMATIC CLUTCH



| INCH SERIES | MAXIMUM SLIP TORQUE RATING | | SWING DIAMETER | | STYLE AVAILABLE | |
|---------------|----------------------------|------|----------------|-----|-----------------|-------------|
| | in•lb | Nm | inch | mm | Implement | Free Motion |
| 14 | 18000 | 2050 | 7-1/4 | 184 | • | • |
| 35 | 24000 | 2700 | | | • | • |
| 44 | 30000 | 3400 | | | • | • |
| 55 | 42000 | 4750 | | | • | • |
| 77 | 42000 | 4750 | | | • | • |
| METRIC SERIES | in•lb | Nm | inch | mm | Implement | Free Motion |
| AB4/AW21 | 9000 | 1000 | 7-1/4 | 184 | • | • |
| AB5 | 12000 | 1350 | | | • | • |
| AW35 | 15000 | 1700 | | | • | • |
| AB6/AW22 | 15000 | 1700 | | | • | • |
| AB7N | 21000 | 2400 | | | • | • |
| AW36 | 24000 | 2750 | | | • | • |
| AB8/AW24 | 24000 | 2750 | | | • | • |
| AB9 | 30000 | 3400 | | | • | • |
| AW26 | 30000 | 3400 | | | • | • |

MODULAR DESIGN FEATURES

- INTERCHANGEABLE YOKE SERIES USING COMMON MOUNTING HOLES
- EASE OF SERVICE
- THRU SHAFT OPTION UP TO 2" DIAMETER (51 mm)
- BI-DIRECTIONAL

INCREASED PERFORMANCE

- REPEATABLE DISCONNECT TORQUE
- NO DAMAGING TORQUE SPIKES
- LUBRICATED FOR LIFE
- WEAR COMPENSATING DESIGN
- HARDENED INTERNAL COMPONENTS
- AUDIBLE OPERATOR NOTIFICATION

FREE MOTION OPTION (PATENTED)

- 60° FREE MOVEMENT ALLOWS FOR EASY ALIGNMENT OF TRACTOR YOKE SPLINE WITH PTO SHAFT
- VARIOUS BORE SIZES AVAILABLE

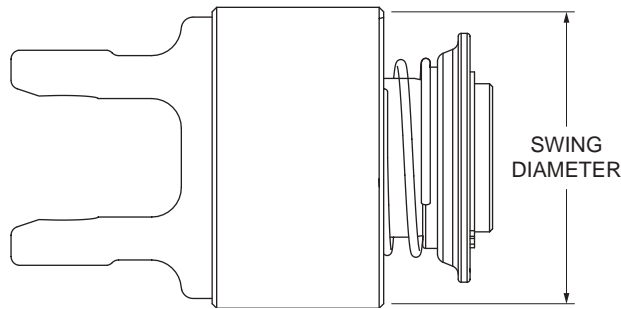
AUTO-LOK SLIDE COLLAR DESIGN (PATENTED)

- COLLAR CAN BE TEMPORARILY PLACED IN RELEASED POSITION FOR INSTALLATION ONTO SHAFT THEN AUTOMATICALLY LOCKS INTO POSITION

ADDITIONAL ATTACHMENT DESIGN OPTIONS ARE AVAILABLE

OVERRUNNING FEATURE AVAILABLE

COMPACT AUTOMATIC CLUTCH



| INCH SERIES | MAXIMUM SLIP TORQUE RATING | | SWING DIAMETER | | STYLE AVAILABLE | |
|---------------|----------------------------|------|----------------|-----|-----------------|----------|
| | in•lb | Nm | inch | mm | Implement | Tractor* |
| 07 | 3500 | 400 | 4 | 102 | • | • |
| 6 | 7000 | 800 | | | • | • |
| 12 | 10500 | 1200 | | | • | • |
| 14 | 10500 | 1200 | | | • | • |
| 35 | 12000 | 1350 | | | • | • |
| METRIC SERIES | in•lb | Nm | inch | mm | Implement | Tractor* |
| AB1 | 3500 | 400 | 4 | 102 | • | • |
| AW10 | 3500 | 400 | | | • | • |
| AB2/AW20 | 7000 | 800 | | | • | • |
| AB3/AW11 | 7000 | 800 | | | • | • |
| AB4/AW21 | 10500 | 1200 | | | • | • |
| AB5 | 10500 | 1200 | | | • | • |
| AW35 | 12000 | 1350 | | | • | • |
| AB6/AW36 | 12000 | 1350 | | | • | • |
| AB7N | 12000 | 1350 | | | • | • |

DESIGN FEATURES

- VARIOUS BORE SIZES AVAILABLE
- THRU SHAFT OPTION UP TO 1-5/8" DIAMETER (41 mm)
- OVERRUNNING, BI-DIRECTIONAL, UNI-DIRECTIONAL OPTIONS AVAILABLE

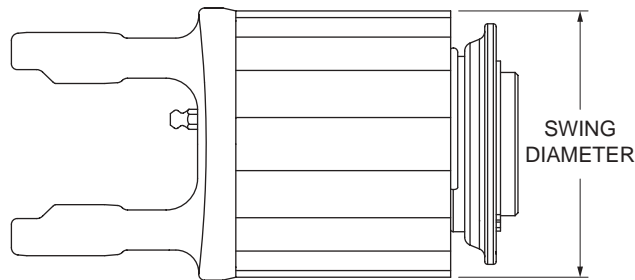
INCREASED PERFORMANCE

- REPEATABLE DISCONNECT TORQUE
- NO DAMAGING TORQUE SPIKES
- LUBRICATED FOR LIFE
- WEAR COMPENSATING DESIGN
- HARDENED INTERNAL COMPONENTS
- AUDIBLE OPERATOR NOTIFICATION

ADDITIONAL ATTACHMENT DESIGN OPTIONS ARE AVAILABLE*

*AVAILABLE FOR THE IMPLEMENT END ONLY IN EUROPE

RATCHET CLUTCH



| INCH SERIES | MAXIMUM SLIP TORQUE RATING | | SWING DIAMETER | | STYLE AVAILABLE | |
|-------------|----------------------------|------|----------------|-----|-----------------|---------|
| | in•lb | Nm | inch | mm | Implement | Tractor |
| 07 | 2700 | 300 | 3-15/16 | 100 | • | N/A |
| 6 | 5300 | 600 | | | • | N/A |
| 12 | 8000 | 900 | | | • | N/A |
| 14 | 10600 | 1200 | | | • | N/A |
| 35 | 13300 | 1500 | | | • | N/A |

| METRIC SERIES | in•lb | Nm | inch | mm | Implement | Tractor |
|---------------|-------|------|---------|-----|-----------|---------|
| AB1 | 5300 | 600 | 3-15/16 | 100 | • | N/A |
| AW10 | 5300 | 600 | | | • | N/A |
| AB2/AW20 | 8000 | 900 | | | • | N/A |
| AB3/AW11 | 8000 | 900 | | | • | N/A |
| AB4/AW21 | 10600 | 1200 | | | • | N/A |
| AB5 | 13300 | 1500 | | | • | N/A |
| AW35 | 13300 | 1500 | | | • | N/A |
| AB6/AW22 | 13300 | 1500 | | | • | N/A |
| AB7N | 13300 | 1500 | | | • | N/A |
| AB8/AW24 | 13300 | 1500 | | | • | N/A |
| AW36 | 13300 | 1500 | | | • | N/A |
| AB9 | 13300 | 1500 | | | • | N/A |
| AW26 | 13300 | 1500 | | | • | N/A |

DESIGN FEATURES

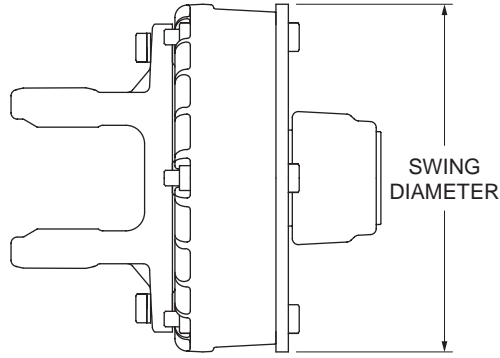
- VARIOUS BORE SIZES AVAILABLE
- THRU SHAFT OPTION UP TO 1-3/8" DIAMETER (35 mm)
- BI-DIRECTIONAL

INCREASED PERFORMANCE

- REPEATABLE DISCONNECT TORQUE
- PULSATING TORQUE WHILE OVERLOADED
- MINIMAL MAINTENANCE
- HARDENED INTERNAL COMPONENTS
- AUDIBLE OPERATOR NOTIFICATION

ADDITIONAL ATTACHMENT DESIGN OPTIONS ARE AVAILABLE

TORQMASTER MODULAR FRICTION CLUTCH



| INCH SERIES | MAXIMUM SLIP TORQUE RATING | | SWING DIAMETER | | STYLE AVAILABLE | |
|-------------|----------------------------|------|------------------|-----|-----------------|-------------|
| | in•lb | Nm | inch | mm | Implement | Free Motion |
| 14 | 18000 | 2050 | 7 or 9-3/8 | 178 | • | • |
| 35 | 21000 | 2350 | | 178 | • | • |
| 44 | 21000 | 2350 | | or | • | • |
| 55 | 21000 | 2350 | | 238 | • | • |
| 77 | 24000 | 2750 | | 238 | • | • |

| METRIC SERIES | in•lb | Nm | inch | mm | Implement | Free Motion |
|---------------|-------|------|------------------|-----|-----------|-------------|
| AB2/AW20 | 6000 | 650 | 7 or 9-3/8 | 178 | • | • |
| AB4/AW21 | 12000 | 1350 | | 178 | • | • |
| AB5 | 18000 | 2000 | | or | • | • |
| AW35 | 15000 | 1700 | | 238 | • | • |
| AB6/AW22 | 15000 | 1700 | | • | • | |
| AB7N | 21000 | 2350 | | • | • | |
| AW36 | 21000 | 2350 | | • | • | |
| AB8/A24 | 21000 | 2350 | | • | • | |
| AB9 | 21000 | 2350 | | • | • | |
| AW26 | 21000 | 2350 | | • | • | |

MODULAR DESIGN FEATURES

- INTERCHANGEABLE YOKE SERIES USING COMMON MOUNTING HOLES
- EASE OF SERVICE

INCREASED PERFORMANCE

- CAST IRON HOUSING AND PRESSURE PLATE FOR EFFICIENT HEAT TRANSFER
- COOLING FINS ON HOUSING AND PRESSURE PLATE (PATENTED)
- WEAR COMPENSATING SPRING

FREE MOTION OPTION (PATENTED)

- 60° FREE MOVEMENT ALLOWS FOR EASY ALIGNMENT OF TRACTOR YOKE SPLINE WITH PTO SHAFT
- VARIOUS BORE SIZES AVAILABLE

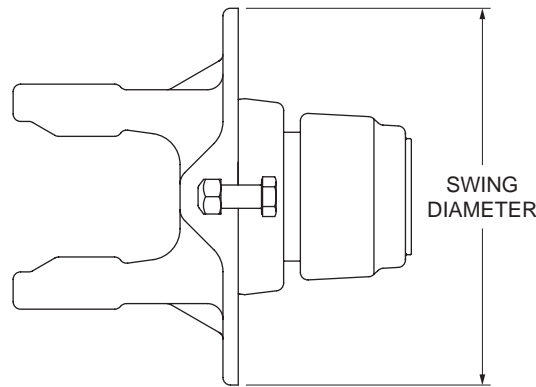
AUTO-LOK SLIDE COLLAR DESIGN (PATENTED)

- COLLAR CAN BE TEMPORARILY PLACED IN RELEASED POSITION FOR INSTALLATION ONTO SHAFT THEN AUTOMATICALLY LOCKS INTO POSITION

ADDITIONAL ATTACHMENT DESIGN OPTIONS ARE AVAILABLE

OVERRUNNING FEATURE AVAILABLE

SHEAR BOLT YOKE



| INCH SERIES | MAXIMUM SHEAR TORQUE RATING | | SWING DIAMETER | | STYLE AVAILABLE | |
|-------------|-----------------------------|------|----------------|-----|-----------------|----------|
| | in•lb | Nm | inch | mm | Implement | Tractor* |
| 12 | 15200 | 1700 | 5 | 127 | • | • |
| 14 | 17200 | 1950 | 5 | 127 | • | • |
| 35 | 30800 | 3500 | 6 | 152 | • | • |
| 44 | 39900 | 4500 | 6 | 152 | • | • |
| 55 | 58600 | 6600 | 6 | 152 | • | • |

| METRIC SERIES | in•lb | Nm | inch | mm | Implement | Tractor* |
|---------------|-------|------|-------|-----|-----------|----------|
| AB2/AW20 | 12400 | 1400 | 4-3/4 | 120 | • | N/A |
| AB4/AW21 | 16200 | 1900 | 5-1/2 | 140 | • | N/A |
| AB5 | 22100 | 2500 | 6-1/4 | 158 | • | N/A |
| AW35 | 25700 | 2900 | 6-1/4 | 158 | • | N/A |
| AB6/AW22 | 25700 | 2900 | 6-1/4 | 158 | • | N/A |
| AB7N | 29200 | 3300 | 6-1/4 | 158 | • | N/A |
| AW36 | 42500 | 4800 | 6-1/4 | 158 | • | N/A |
| AB8/AW24 | 42500 | 4800 | 6-1/4 | 158 | • | N/A |

TRACTOR STYLE (PATENTED)*

- HIDDEN SHEAR BOLT DESIGN
- 1-3/8" - 6, 1-3/8" - 21, AND 1-3/4" - 20 BORES AVAILABLE
- BROAD RANGE OF SHEAR TORQUE OFFERINGS
- INTERNAL BALL BEARING SYSTEM, LUBRICATED FOR LIFE
- INDUCTION HARDENED SHEAR EDGES FOR CONSISTENT SHEAR AND EXTENDED LIFE

IMPLEMENT STYLE

- DESIGNED FOR USE ONLY ON IMPLEMENT END OF DRIVELINE
- BROAD RANGE OF SHEAR TORQUE OFFERINGS
- VARIOUS BORE SIZES AVAILABLE
- INDUCTION HARDENED SHEAR EDGES FOR CONSISTENT SHEAR AND EXTENDED LIFE

FREE MOTION OPTION (PATENTED)

- 60° FREE MOVEMENT ALLOWS FOR EASY ALIGNMENT OF TRACTOR YOKE SPLINE WITH PTO SHAFT
- AVAILABLE IN IMPLEMENT STYLE ONLY

ADDITIONAL ATTACHMENT DESIGN OPTIONS ARE AVAILABLE
OVERRUNNING FEATURE AVAILABLE IN IMPLEMENT STYLE ONLY

*AVAILABLE FOR THE IMPLEMENT END ONLY IN EUROPE

Weasler Engineering, Inc.
P.O. Box 558, West Bend, WI 53095 USA
Tel: +1-262.338.2161, fax: +1-262.338.3709
E-mail: oemsales@weasler.com
web site: www.weasler.com

Weasler Engineering BV
P.O. Box 266, 6600 AG, Wijchen, The Netherlands
Tel: +31-24-64 89 100, fax: +31-24-64 89 109
E-mail: sales@weasler.nl
web site: www.weasler.nl

Weasler Engineering Kft
P.O. Box 262, H6001, Kecskemet, Hungary
Tel: +36-76-500410, fax: +36-76-500 415
E-mail: sales@weasler.hu